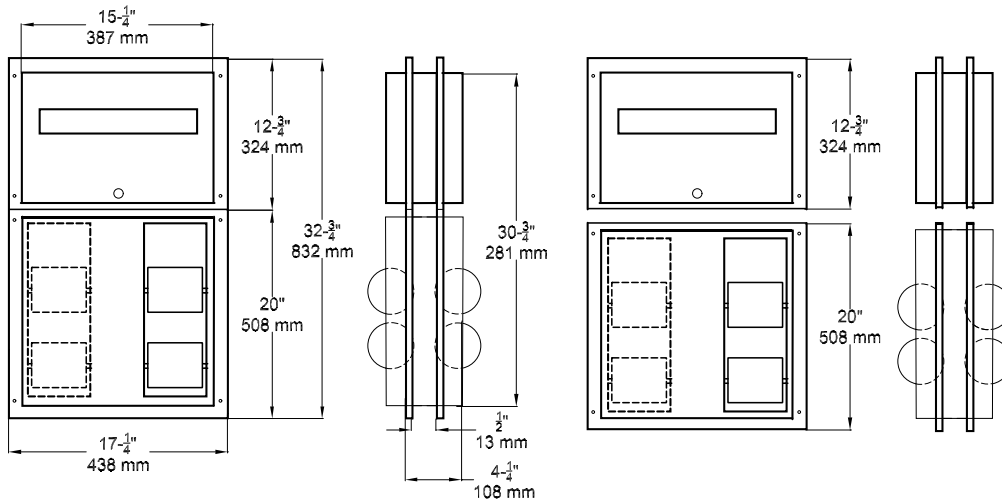




CU-121-280

Technical Data Sheet

Toilet Seat Cover and Toilet Tissue Dispenser
Partition Mounted



Front View

Side View

Shows Units Separated
Front and Side View

MATERIALS: The unit is fabricated of 18-8, type 304 stainless steel with a No. 4 satin finish and is one piece seamless 22 gauge flange construction.

SPECIFICATIONS: The unit is fabricated of alloy 18-8, type 304 stainless steel with a No. 4 satin finish. The doors are mounted with continuous stainless steel piano hinge and are fitted with tumbler locks. The unit is a one piece seamless 22 gauge flange constructed with 1/4" (6 mm) return for rigidity. This unit mounts centered through partition panel. The unit is operable from both sides of the partition.

CAPACITY: Four standard 5 1/2" (140 mm) diameter 1800 sheet rolls and 1,000 seat covers.

OVERALL SIZE: 17 1/4" W x 32 3/4" H x 4 1/4" D
(438 mm W x 832 mm H x 108 mm D)

PARTITION OPENING: 15 3/4" W x 31 1/4" H x 1/2" to 1 1/4" D
(400 mm W x 794 mm H x 13 mm x 32 mm D)

MOUNTING HEIGHT: ADA required mounting height is 46" (1,168 mm) above finished floor to top of unit.



INSTALLATION: Unit is to be installed through partitions 1/2" (13 mm) to 2" (51 mm) thick, serving two compartments. Mount centered through toilet partition. Average Mounting Height is 60" (1,524 mm) above finished floor to top of unit.

The manufacturer reserves the right, without formal notification, to implement changes to the design and dimensions.
© 2008 Columbia Accessories
Edition CU-121-280/001



PO Box 181, Columbia, SC 29202
Phone: 1-866-820-3579 Fax: 1-866-317-2786
Web Site: <http://www.natpart.com>