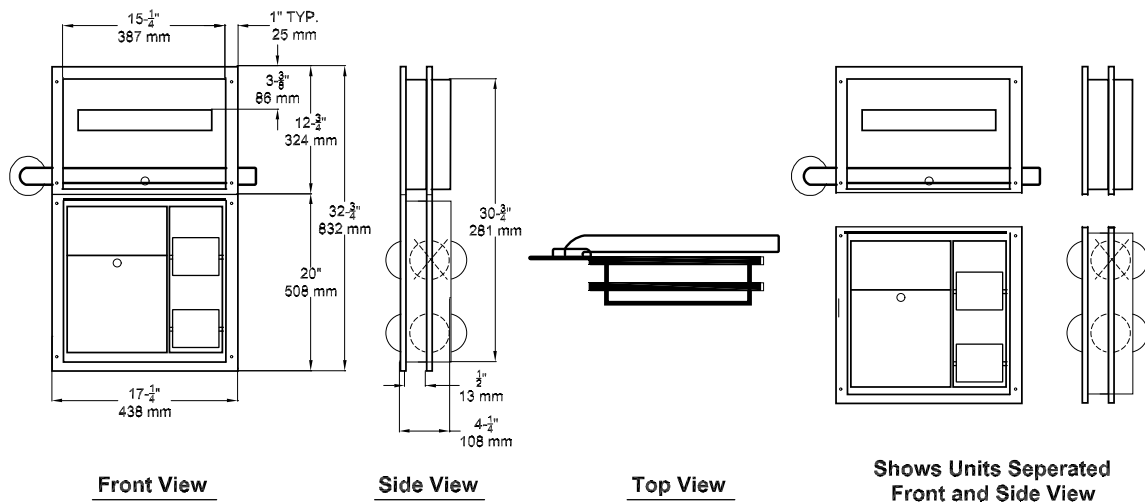


CU-211-280

Technical Data Sheet

Toilet Seat Cover, Toilet Tissue Dispenser and Napkin Disposal Partition Mounted - One Side Flush for Grab Bar Clearance



MATERIALS: The unit is fabricated of 18-8, type 304 stainless steel with a No. 4 satin finish and is one piece seamless 22 gauge flange construction.

SPECIFICATIONS: The unit is fabricated of alloy 18-8, type 304 stainless steel with a No. 4 satin finish. The doors are mounted with continuous stainless steel piano hinge and are fitted with tumbler locks. The unit is a one piece seamless 22 gauge flange constructed with 1/4" (6 mm) return for rigidity. The 2 gallons waste receptacle is self-closing with a spring hinge, and is removable for servicing. This unit mounts through partition with one side mounting flush on barrier free compartment side to allow for grab bar clearance. The unit is operable from both sides of partition, but serviced from one side.

CAPACITY: Four standard 5 1/2" (140 mm) diameter 1800 sheet rolls, 1,000 seat covers and 2 gallons waste receptacle.

OVERALL SIZE: 17 1/4" W x 32 3/4" H x 4 1/4" D
(438 mm W x 832 mm H x 108 mm D)

PARTITION OPENING: 15 3/4" W x 31 1/4" H x 1/2" to 1 1/4" D
(400 mm W x 794 mm H x 13 mm x 32 mm D)

MOUNTING HEIGHT: ADA required mounting height is 46" (1,168 mm) above finished floor to top of unit.



INSTALLATION: Unit is to be installed through partitions 1/2" (13 mm) to 2" (51 mm) thick, serving two compartments. Mount centered through toilet partition.

The manufacturer reserves the right, without formal notification, to implement changes to the design and dimensions.
© 2008 Columbia Accessories
Edition CU-211-280/001



PO Box 181, Columbia, SC 29202
Phone: 1-866-820-3579 Fax: 1-866-317-2786
Web Site: <http://www.natpart.com>