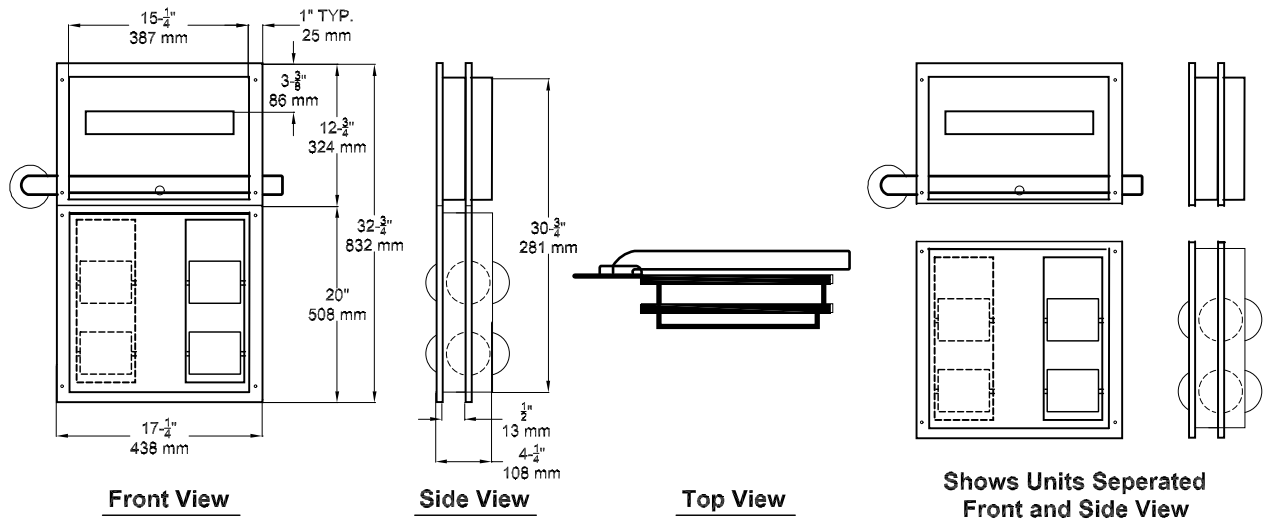




CU-221-280

Technical Data Sheet

Toilet Seat Cover and Toilet Tissue Dispenser
Partition Mounted - One Side Flush for Grab Bar Clearance



MATERIALS: The unit is fabricated of 18-8, type 304 stainless steel with a No. 4 satin finish and is one piece seamless 22 gauge flange construction.

SPECIFICATIONS: The unit is fabricated of alloy 18-8, type 304 stainless steel with a No. 4 satin finish. The doors are mounted with continuous stainless steel piano hinge and are fitted with tumbler locks. The unit is a one piece seamless 22 gauge flange constructed with 1/4" (6 mm) return for rigidity.

CAPACITY: Four standard 5 1/2" (140 mm) diameter 1800 sheet rolls, 1,000 seat covers and 2 gallons waste receptacle.

OVERALL SIZE: 17 1/4" W x 32 3/4" H x 4 1/4" D
(438 mm W x 832 mm H x 108 mm D)

PARTITION OPENING: 15 3/4" W x 31 1/4" H x 1/2" to 1 1/4" D
(400 mm W x 794 mm H x 13 mm x 32 mm D)

MOUNTING HEIGHT: ADA required mounting height is 46" (1,168 mm) above finished floor to top of unit.

INSTALLATION: Unit is to be installed through partitions 1/2" (13 mm) to 2" (51 mm) thick, serving two compartments. Mount centered through toilet partition.



The manufacturer reserves the right, without formal notification, to implement changes to the design and dimensions.
© 2008 Columbia Accessories
Edition CU-221-280/001



PO Box 181, Columbia, SC 29202
Phone: 1-866-820-3579 Fax: 1-866-317-2786
Web Site: <http://www.natpart.com>