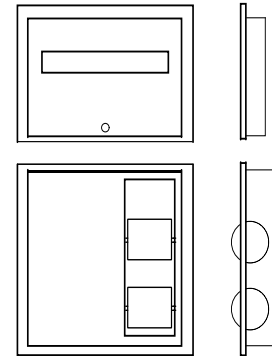
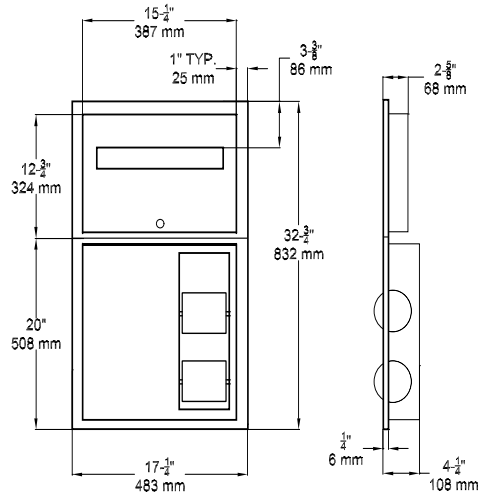




CU-321-280

Technical Data Sheet

**Toilet Seat Cover and Toilet Tissue Dispenser
Recessed - End Wall Unit**



Front View

Side View

Shows Units Separated Front and Side View

MATERIALS: The unit is fabricated of 18-8, type 304 stainless steel with a No. 4 satin finish and is one piece seamless 22 gauge flange construction.

SPECIFICATIONS: The unit is fabricated of alloy 18-8, type 304 stainless steel with a No. 4 satin finish. The doors are mounted with continuous stainless steel piano hinge and are fitted with tumbler locks. The unit is a one piece seamless 22 gauge flange constructed with 1/4"(6 mm) return for rigidity.

CAPACITY: Two standard 5 1/2"(140 mm) diameter 1800 sheet rolls and 500 seat covers.

OVERALL SIZE: 17 1/4" W x 32 3/4" H x 4 1/4" D
(438 mm W x 832 mm H x 108 mm D)

WALL OPENING: 15 3/4" W x 31 1/4" H x 4" D
(400 mm W x 794 mm H x 102 mm D)

MOUNTING HEIGHT: ADA required mounting height is 46" (1,168 mm) above finished floor to top of unit.



INSTALLATION: Provide rough wall opening at desired or specified location of 15 3/4"W x 31 3/4"H. (Depth of opening will depend on type mounting required.) Place lower unit in opening. Before securing place seat cover dispenser in opening to ensure proper fit. If both units fit properly in opening, secure bottom unit than the top. If collars are required, place collar onto the units from the back before securing to mounting area. Fill seat cover dispenser and toilet tissue rolls.

The manufacturer reserves the right, without formal notification, to implement changes to the design and dimensions.
© 2008 Columbia Accessories
Edition CU-321-280/001



PO Box 181, Columbia, SC 29202
Phone: 1-866-820-3579 Fax: 1-866-317-2786
Web Site: <http://www.natpart.com>