



Economy Series

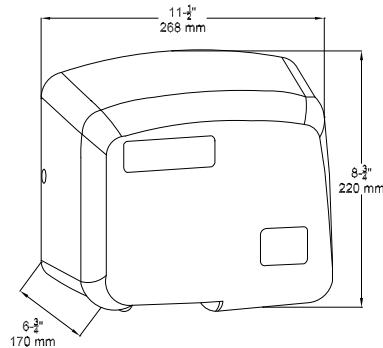
HD-111-210 (110 Volts)

HD-121-210 (220 Volts)

White-ABS Plastic

Technical Data Sheet

Automatic Touch Free Sensor Hand Dryer Surface Mounted




SPECIFICATIONS: Surface Mounted Automatic Touch Free Sensor Hand Dryer. 1/8 HP, 1800 Watts 110 Voltage/15 Amps and 220 Voltage/8 Amps. Cover is fabricated of one piece high grade fire retardant ABS, 3.0 mm thick, white color. 30-35 seconds drying time. Sound level is 55 ± 3 dB. Dryer shall deliver 150 CFM, air speed 15.5 m/s. Weight is 8.4 lbs. (3.8 kgs). Drip Proof IPX1. Brushless motor 3150 R.P.M. The heater assembly is designed with 200° F (87 ° C) thermostat.

Dryer is  approved.

OVERALL SIZE: 11 1/2 " W x 8 3/4" H x 6 3/4" D
(268 mm W x 220 mm H x 170 mm D)

OPERATION: Shake excess water from hands. Place hands under the outlet to start operation. Dryer is activated when hands are placed 4-6 inches below spout. Rub hands lightly and rapidly. Dryer automatically powers off as soon as hands are removed. (For safety, the power will be cut off automatically in case of irregular use over 120 seconds.)

INSTALLATION:  **WARNING:** Disconnect power before installation or servicing. Do not install unit over wash basin. This product is intended for installation by a qualified service person. Use AWG NO.12 solid conductor for wiring. All units must be supplied with a 3-wire service. The ground wire must be connected to the dryer's back plate. Failure to properly ground could result in sever electrical shock and/or death.

Place the supplied paper template against the wall. Suitable height for hole "D" is 50" from ground. Drill 4 holes (A,B,C,D 5/16" (8mm) diameter and 1 3/8" (35mm) depth.) Take off the mounting instruction sheet. Hammer dowels into the 4 holes. Remove the housing from the base plate. Fix the base plate firmly onto the wall. Connect the live wire (colored red or brown) to the terminal block marked "L". Connect the neutral wire (colored black or blue) to the terminal block marked "N". Connect the ground wire (colored green and yellow) to the green screw. Attach housing back to base plate.

The manufacturer reserves the right, without formal notification, to implement changes to the design and dimensions.
© 2008 Columbia Accessories
Edition: HD-111-210 and HD-121-210-210/001



PO Box 181, Columbia, SC 29202
Phone: 1-866-820-3579 Fax: 1-866-317-2786
Web Site: <http://www.natpart.com>