



## Designer Series

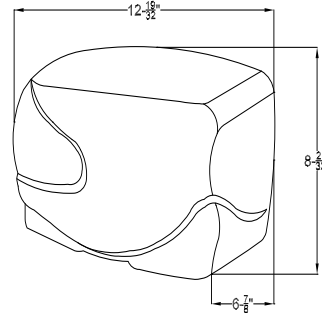
HD-212-210 (110 Volts)

HD-222-210 (220 Volts)

White – Painted Cast Aluminum

## Technical Data Sheet

### Automatic Touch Free Sensor Hand Dryer Surface Mounted




**SPECIFICATIONS:** Surface Mounted Automatic Touch Free Sensor Hand Dryer. Unit has 1850 Watts for 110/120 Volts, 16.8 /18.3 Amps and 2200 Watts for 220/240 Volts, 8.4/9.2 Amps. Cover is fabricated of one piece cast aluminum – Painted. 2 vandal-proof lock screws and key wrench. 20-25 seconds drying time. Sound level is  $70 \pm 5$  dB. Air speed 20.5 m/s – 212 CFM. Drip proof: IPX1. Weight is 13.4 lbs. (6.1 kgs). Air outlet is rust proof and tamper resistant. Brush motor is 1/4 HP, 200 watts with 4150 R.P.M. – 50/60 Hz. The heater assembly is designed with 200° F (87 ° C) thermostat.

Dryer is  approved.

**OVERALL SIZE:** 12 19/32" W x 8 21/32" H x 6 7/8" D  
(320 mm W x 220 mm H x 202 mm D)

**OPERATION:** Shake excess water from hands. Place hands under the outlet to start operation. Dryer is activated when hands are placed 4-6 inches below spout. Rub hands lightly and rapidly. Dryer automatically powers off as soon as hands are removed. (For safety, the power will be cut off automatically in case of irregular use over 120 seconds.)

**INSTALLATION:**  **WARNING:** Disconnect power before installation or servicing. This product is intended for installation by a qualified service person. Use AWG NO.12 solid conductor for wiring. All units must be supplied with a 3-wire service. The ground wire must be connected to the dryer's back plate. Failure to properly ground could result in severe electrical shock and/or death.

Place paper supplied template against wall. Suitable height for hole "C" is 50" from ground. Drill 4 holes (A,B,C,D 5/16" (8mm) diameter and 1 3/8" (35mm) depth.) Take off the mounting instruction sheet. Hammer dowels into the 4 holes. Remove the housing from the base plate; put the power cord at least 2 1/4" (7cm) through the hole of the base plate then secure the base plate onto the wall. Connect the live wire (colored red or brown) to the terminal block marked "L". Connect the neutral wire (colored black or blue) to the terminal block marked "N". Connect the ground wire (colored green and yellow) to the terminal block. Attach housing back to base plate at an angle of 10 degrees then secure properly.

The manufacturer reserves the right, without formal notification, to implement changes to the design and dimensions.  
© 2008 Columbia Accessories  
Edition: HD-212-210 and HD-222-210/001



PO Box 181, Columbia, SC 29202  
Phone: 1-866-820-3579 Fax: 1-866-317-2786  
Web Site: <http://www.natpart.com>