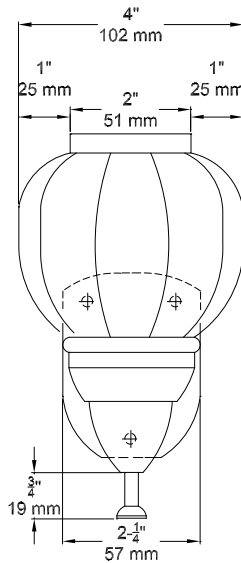




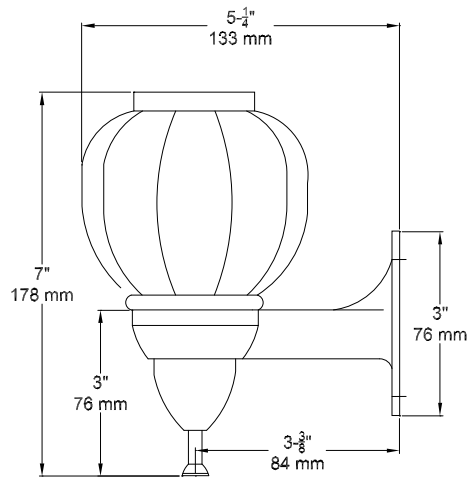
# SD-158-200

## Technical Data Sheet

### Liquid Soap Dispenser Surface Mounted - (Push-Up Type)



Front View



Side View

**MATERIALS:** Unit is fabricated of tamper resistant, chrome plated ABS plastic, a translucent white polyethylene soap container, and a corrosion resistant ABS dispensing valve with stainless steel spring.

**CAPACITY:** 16 oz (.47 liters) of soap, detergent or lotion

**OVERALL SIZE:** 4" W x 7" H x 5 1/4 D  
(102 mm W x 178 mm H x 133 mm D)

**SPECIFICATIONS:** Surface Mounted Liquid Soap Dispenser (Push-up type) will dispense 16 oz (.47 liters) of soap, detergent or lotion. Unit to be fabricated of tamper resistant, chrome plated ABS plastic, a translucent white polyethylene soap container, and a corrosion resistant ABS dispensing valve with stainless steel spring. Valve operation complies with ADA Accessibility Guidelines by requiring no more than 5 lbs (22.2 Newtons) pressure to actuate and require no grasping or twisting by operator.

**INSTALLATION:** Unit is secured to wall or partition using No10 self tapping screws (supplied). For maximum usability and compliance with ADA Accessibility Guidelines, unit should be installed so that bottom of unit is 54" maximum above finished floor (AFF) when clear side access is provided, 48" AFF with forward reach access only provided and 46" with side reach over an obstruction such as a vanity. Recommended installation is 42" AFF or 6" minimum above wash basin.

The manufacturer reserves the right, without formal notification, to implement changes to the design and dimensions.  
© 2008 Columbia Accessories  
Edition: SD-158-200/001



PO Box 181, Columbia, SC 29202  
Phone: 1-866-820-3579 Fax: 1-866-317-2786  
Web Site: <http://www.natpart.com>