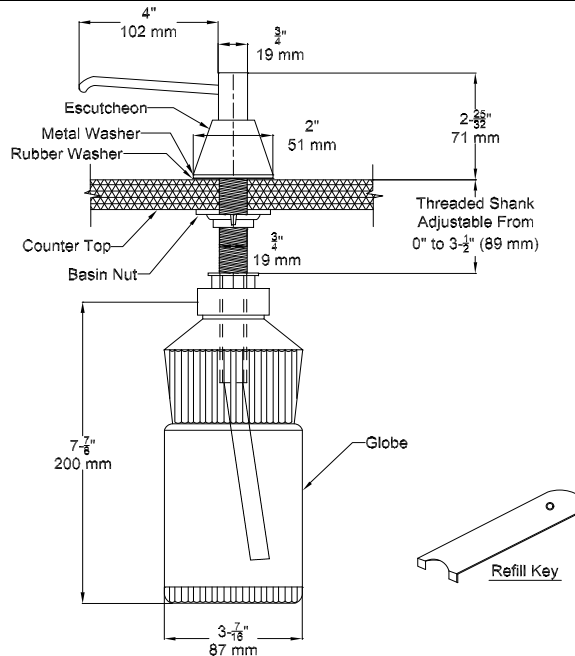


**Soap Dispenser – 4" Spout
Lavatory Mounted**



MATERIALS: 4" spout is stainless steel with rubber check valves and an O-ring seal. Valve body, internal parts, basin nut, threaded shank and globe adapter to be molded plastic. Spring, escutcheon washer, stem retainer collar and screw to be stainless steel. Escutcheon to be chrome plated brass, Soap container to be translucent, shatter resistant polyethylene.

CAPACITY: 32 oz. (1.0 liter) of liquid and lotion soaps, synthetic detergents and antibacterial soaps containing PCMX and/or Triclosan

OVERALL SIZE: 3 7/16" W x 14 3/18" H x 4 3/4" D
(87 mm W x 290 mm H x 121 mm D)

SPECIFICATIONS: Lavatory Mounted Soap Dispenser will dispense 32 oz. (1.0 liter) of liquid and lotion soaps, synthetic detergents and antibacterial soaps containing PCMX and/or Triclosan. Dispenser stem and 4" spout to be stainless steel with rubber check valves and an O-ring seal. Valve body, internal parts, basin nut, threaded shank and globe adapter to be molded plastic. Spring, escutcheon washer, stem retainer collar and screw to be stainless steel. Escutcheon to be chrome plated brass. Soap container to be translucent, shatter resistant polyethylene. Vandal-resistant spout will rotate 360° without damage to unit. Valve operation complies with ADA Accessibility Guidelines by requiring no more than 5lbsf of pressure to actuate without grasping or twisting by operator

INSTALLATION: Unit is generally located adjacent to a flush mounted lavatory, through 7/8" Dia. cut out (by others) in counter top. An adjustable threaded shank allows for installation in counter tops up to 3-1/2" thick.