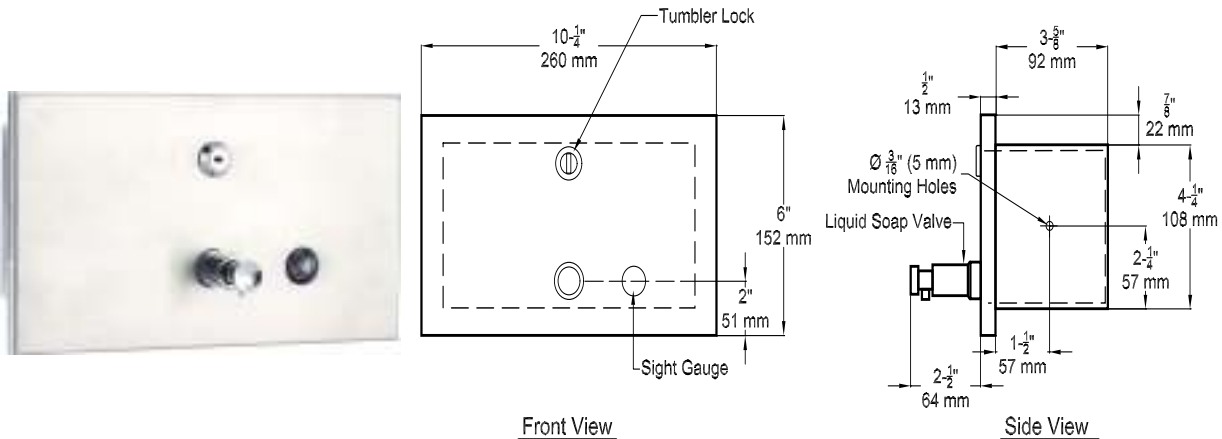




SD-611-200

Technical Data Sheet

Horizontal Soap Dispenser Recessed



MATERIALS: Type 304 stainless steel with satin finish and locked door.

SPECIFICATIONS: Type 304 stainless steel with satin finish and locked door. Door is mounted to cabinet with full-length stainless steel piano hinge and fitted with tumbler lock. Corrosion resistant valve dispenses lotion soaps, synthetic detergents and antiseptic solutions. Unbreakable refill window. Dispenser is filled by opening door.

CAPACITY: 47 oz. (1400 ml)

OVERALL SIZE: 10 1/4" W x 6" H x 6 7/16" D
(260 mm W x 152 mm H x 162 mm D)

WALL OPENING: 8 1/2" W x 4 1/2" H x 4 3/8" D
(215 mm W x 114 mm H x 111 mm D)



ADA Guides: Push buttons and pistons should be operable with one hand and without tight grasping, pinching or twisting of the wrist. Activation of soap valves should not require more than 5 pounds of force when unit is completely filled.

INSTALLATION: Mounting location for push button dispenser is 44" (1,118mm) maximum above the finished floor to top of unit.

The manufacturer reserves the right, without formal notification, to implement changes to the design and dimensions.
© 2008 Columbia Accessories
Edition: SD-611-200/001



PO Box 181, Columbia, SC 29202
Phone: 1-866-820-3579 Fax: 1-866-317-2786
Web Site: <http://www.natpart.com>