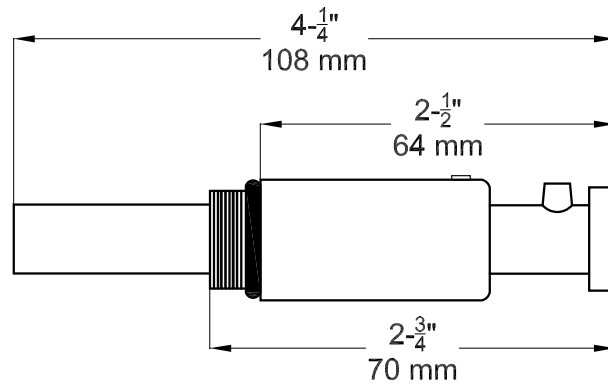




# SV-111-200

## Technical Data Sheet

### Replacement Soap Valve



**MATERIALS:** Internal parts are ABS plastic and stainless steel.

**SPECIFICATIONS:** Replacement soap valve to be used with Chrome plated brass housing. Non-corrosive parts to soaps, lotions and detergents. Soap valve is designed for dispensing coconut oil or vegetable oil base anhydrous soap without disinfectant, deodorant, germicide, iodine or any corrosive additives

**FOR USE WITH:** Soap dispensers SD-111-200, SD-211-200 and the SD-311-200.

The manufacturer reserves the right, without formal notification, to implement changes to the design and dimensions.  
© 2008 Columbia Accessories  
Edition: SV-111-200/001



PO Box 181, Columbia, SC 29202  
Phone: 1-866-820-3579 Fax: 1-866-317-2786  
Web Site: <http://www.natpart.com>