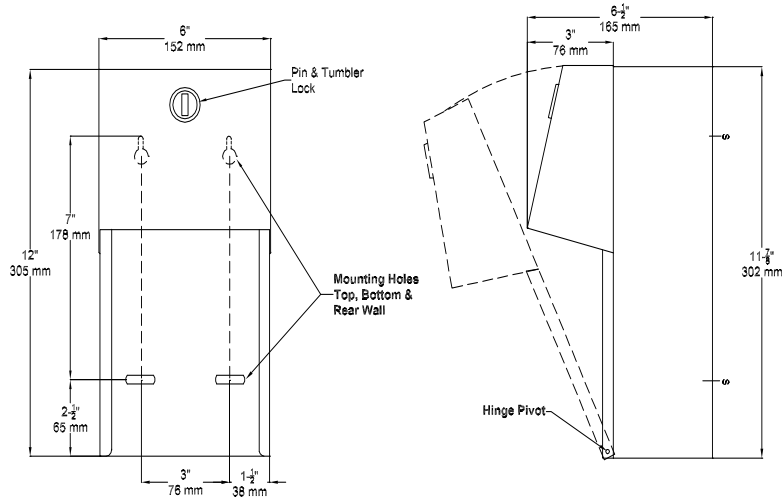




TT-141-200

Technical Data Sheet

Toilet Tissue Dispenser – Extra Roll Housing  
Surface Mounted



**MATERIALS:** Surface Mounted Toilet Tissue Dispenser fabricated of alloy 18-8 stainless steel, type 304, 18 gauge, cabinet body will be same grade, 22 gauge.

**CAPACITY:** Two standard tissue rolls

**OVERALL SIZE:** 6" W x 12" H x 6 1/2" D  
(152 mm W x 305 mm H x 165 mm D)

**SPECIFICATIONS:** Surface Mounted Toilet Tissue Dispenser holds and dispenses two (2) standard or two (2) 5-1/4" diameter (133mm) 1800 sheets tissue rolls and will have door, door frame, and dispensing mechanism fabricated of alloy 18-8 stainless steel, type 304, 18 gauge; cabinet body will be same grade, 22 gauge. All exposed surface to be No 4 satin finish and be protected during shipment with a PVC film easily removable after installation. Internal mechanism levers to be fabricated of molded high-impact resistant plastic for smooth operation. Structural assembly of body and door components to be of welded construction. Door hinge will be of heavy-duty stainless steel 3/16" diameter rivets. Door will be held closed with a tumbler lock. Vandal resistant rollers will be of molded high-impact resistant plastic with integral molded-in stainless steel end pins and two (2) rollers shall be supplied.

**INSTALLATION:** Unit is surface mounted on wall or partition using four (4) No 10 self tapping screws (by others). Top two mounting holes through back are "keyhole" slots for ease in hanging unit on pre-installed screws. Bottom two mounting holes are horizontal slots for ease of adjustment. For compliance with ADA Accessibility Guidelines, top of unit should be installed 29" (737 mm) above finished floor.

The manufacturer reserves the right, without formal notification, to implement changes to the design and dimensions.  
© 2008 Columbia Accessories  
Edition: TT-141-200/001



PO Box 181, Columbia, SC 29202  
Phone: 1-866-820-3579 Fax: 1-866-317-2786  
Web Site: <http://www.natpart.com>