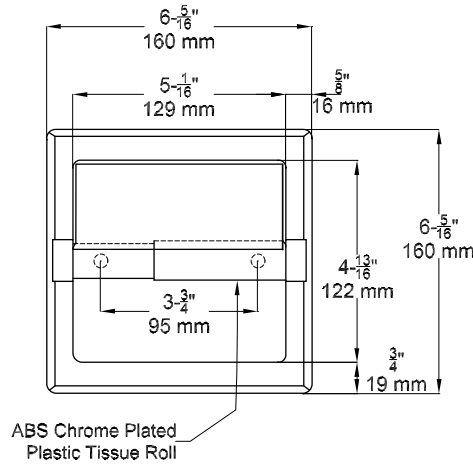




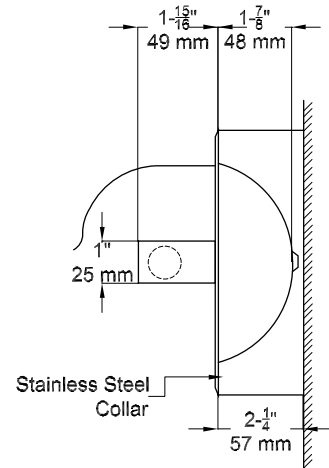
TT-152-200

Technical Data Sheet

Single Toilet Tissue Holder with Hood Surface Mounted



Front View



Side View

MATERIALS: 18-8 stainless steel, type 304, single toilet tissue roll holder with hood and high impact resistant ABS plastic; chrome plated roller.

SPECIFICATIONS: Surface mounted single toilet tissue roll holder with hood is fabricated of 18-8 stainless steel, type 304. The roller is fabricated of high impact resistant ABS plastic; chrome plated material. The hood has a bright chrome finish and is attached at top of unit with a brass pivot rod that extends the full length of the unit. All exposed surfaces have a bright chrome finish.

CAPACITY: One Standard Toilet Tissue Roll up to 6" (152.4 mm) in diameter

OVERALL SIZE: $6\frac{5}{16}$ " W x $6\frac{5}{16}$ " H x $5\frac{3}{16}$ " D
(160 mm W x 160 mm H x 131 mm D)

OPERATION: The spindle of the unit is spring loaded and holds roll in place. The spindle moves freely allowing ease of paper dispense. The hood causes some friction on roll which controls the delivery of paper.

INSTALLATION: Unit is to be installed as surface mounted to a wall or partition using #10 self tapping screws which are supplied with unit. ADA requires that unit be installed no more than 36" (914.4 mm) from the back wall located behind the toilet. The centerline of roller is to be installed at a minimum of 19" (482.6 mm) above finished floor up to 44" (1117.6 mm) as a maximum height.

The manufacturer reserves the right, without formal notification, to implement changes to the design and dimensions.
© 2008 Columbia Accessories
Edition: TT-152-200/001



PO Box 181, Columbia, SC 29202
Phone: 1-866-820-3579 Fax: 1-866-317-2786
Web Site: <http://www.natpart.com>