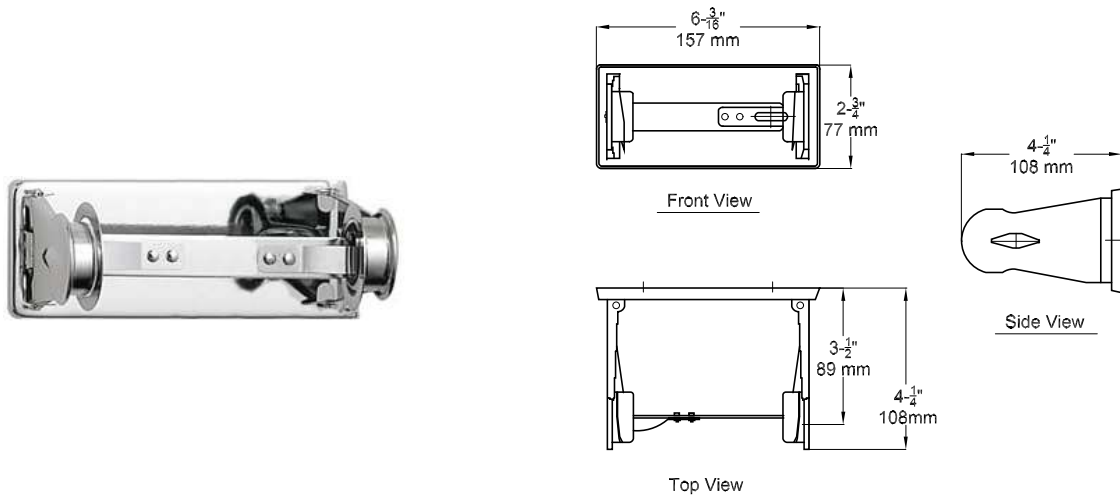




TT-193-200

Technical Data Sheet

Single Toilet Tissue Holder w/ Vandal Resistant Locking Surface Mounted



MATERIALS: Surface Mounted Single Roll Toilet Paper Holder to be fabricated of No18 gauge high polished chrome-plated steel.

CAPACITY: One standard tissue roll

OVERALL SIZE: $6\frac{3}{16}$ " W x $2\frac{3}{4}$ " H x $4\frac{1}{4}$ " D
(157 mm W x 77 mm H x 108 mm D)

SPECIFICATIONS: Surface Mounted Single Roll Toilet Paper Holder holds standard core size toilet tissue up to 5" (127mm) diameter. Unit is to be fabricated of No18 gauge high polished chrome-plated steel. A brake-spring shall provide controlled delivery for each roll of toilet paper. Roll core prevents access to release-catch spring and roll will be non-removable until roll is depleted.

INSTALLATION: For general utility, mount unit 32" (813mm) above finished floor (AFF) from center line of holder. Surface mount and secure holder to wall with two (2) No10 self-tapping screws (supplied) through mounting slots in back plate. For compliance with ADA Accessibility Guidelines, install unit so that center line of holder is 19" (483mm) minimum AFF to 44" (1118mm) maximum AFF.

The manufacturer reserves the right, without formal notification, to implement changes to the design and dimensions.
© 2008 Columbia Accessories
Edition: TT-193-200/001



PO Box 181, Columbia, SC 29202
Phone: 1-866-820-3579 Fax: 1-866-317-2786
Web Site: <http://www.natpart.com>