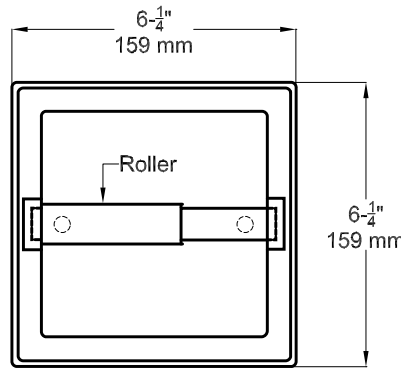




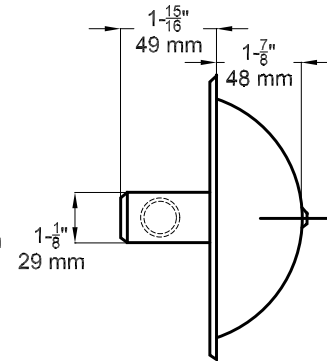
TT-212-200

Technical Data Sheet

Single Toilet Tissue Holder
Recessed



Front View



Side View

MATERIALS: Recessed Toilet Paper Holder fabricated of one piece seamless construction, type 304, stainless steel, bright finish.

CAPACITY: One standard tissue roll

OVERALL SIZE: 6 1/4" W x 6 1/4" H x 3 13/16" D
(159 mm W x 159 mm H x 97 mm D)

WALL OPENING: 5 3/8" W x 5 3/8" H x 1 7/8" D
(137 mm W x 137 mm H x 48 mm D)

SPECIFICATIONS: Recessed Toilet Paper Holder will hold and dispense all standard core roll tissue, up to 5" diameter (127 mm) to be fabricated of type 304 stainless steel, seamless one piece construction. Back shall have two (2) perforated lugs for wet wall anchoring or two (2) dimple holes for dry wall installation. Paper roll will be held by a plastic, spring loaded removable roller held between two (2) solid bars. All exposed surfaces have a bright finish.

INSTALLATION: Wet wall installation: Apply grout to back of unit and on perforated lugs and push unit into opening. Dry wall installation: Fasten unit to wall opening with (2) two No 10 self tapping screws (supplied) through dimpled holes at back of shell.

The manufacturer reserves the right, without formal notification, to implement changes to the design and dimensions.
© 2008 Columbia Accessories
Edition: TT-212-200/001



PO Box 181, Columbia, SC 29202
Phone: 1-866-820-3579 Fax: 1-866-317-2786
Web Site: <http://www.natpart.com>