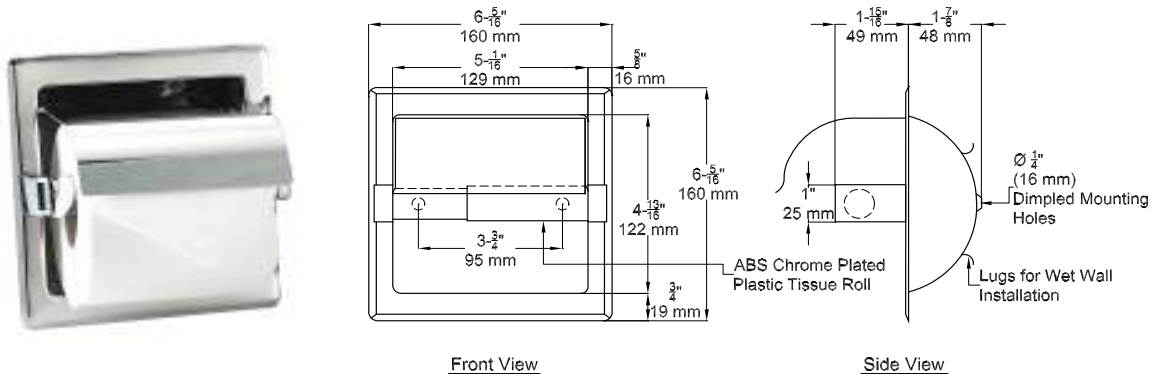




TT-252-200

Technical Data Sheet

Single Toilet Tissue Holder with Hood Recess Mounted



MATERIALS: 18-8 stainless steel, type 304, double toilet tissue roll holder with hood and high impact resistant ABS plastic; chrome plated roller. Exposed surfaces have a bright finish.

CAPACITY: One Standard Toilet Tissue Roll up to 6" (152 mm) in diameter

OVERALL SIZE: 6 5/16" W x 6 5/16" H x 3 13/16" D
(160 mm W x 160 mm H x 97 mm D)

WALL OPENING: 5 3/16" W x 4 15/16" H x 1 7/8" D
(132 mm W x 125 mm H x 48 mm D)

SPECIFICATIONS: Recess mounted single toilet tissue roll holder with hood is fabricated of 18-8 stainless steel, type 304. The roller is fabricated of high impact resistant ABS plastic; chrome plated material. The hood has a bright finish and is attached at top of unit with a brass pivot rod that extends the full length of the unit. All exposed surfaces have a bright finish.

OPERATION: The spindle of the unit is spring loaded and holds roll in place. The spindle moves freely allowing ease of paper dispense. The hood causes some friction on roll which controls the delivery of paper.

INSTALLATION: Unit is to be installed inside wall using #10 self tapping screws which are supplied with unit. ADA requires that unit be installed no more than 36" (914 mm) from the back wall located behind the toilet. The centerline of roller is to be installed at a minimum of 19" (482 mm) above finished floor up to 44" (1117 mm) as a maximum height.

The manufacturer reserves the right, without formal notification, to implement changes to the design and dimensions.
© 2008 Columbia Accessories
Edition: TT-252-200/001



PO Box 181, Columbia, SC 29202
Phone: 1-866-820-3579 Fax: 1-866-317-2786
Web Site: <http://www.natpart.com>