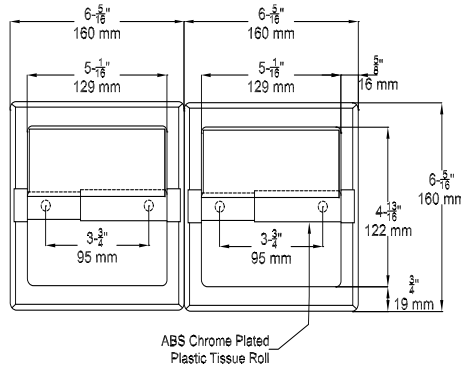




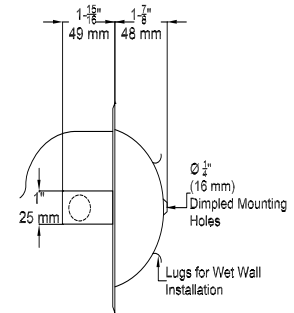
TT-262-200

Technical Data Sheet

Double Toilet Tissue Holder with Hood Recess Mounted



Front View



Side View

MATERIALS: Double toilet tissue roll holder with hood and high impact resistant ABS plastic, 18-8 stainless steel, type 304, bright finish exterior surface and chrome plated rollers.

CAPACITY: Two Standard Toilet Tissue Rolls up to 6" (152 mm) in diameter each.

OVERALL SIZE: 12 5/8" W x 6 5/16" H x 3 13/16" D
(321 mm W x 160 mm H x 97 mm D)

WALL OPENING: 11 1/2" W x 4 15/16" H x 1 7/8" D
(292 mm W x 125 mm H x 48 mm D)

SPECIFICATIONS: Recess mounted double toilet tissue roll holder with hood is fabricated of 18-8 stainless steel, type 304. The rollers are fabricated of high impact resistant ABS plastic; chrome plated material. The hoods have a bright chrome finish and are attached at top of unit with a brass pivot rod that extends the full length. All exposed surfaces have a bright chrome finish.

OPERATION: The spindles of the unit are spring loaded and hold rolls in place. The spindles move freely allowing ease of paper dispenses. The hoods cause some friction on rolls which controls the delivery of paper.

INSTALLATION: Unit is to be installed as surface mounted to a wall or partition using #10 self tapping screws which are supplied with unit. ADA requires that unit be installed no more than 36" (914 mm) from the back wall located behind the toilet. The centerline of roller is to be installed at a minimum of 19" (482 mm) above finished floor up to 44" (1117 mm) as a maximum height.

The manufacturer reserves the right, without formal notification, to implement changes to the design and dimensions.
© 2008 Columbia Accessories
Edition: TT-262-200/001



PO Box 181, Columbia, SC 29202
Phone: 1-866-820-3579 Fax: 1-866-317-2786
Web Site: <http://www.natpart.com>