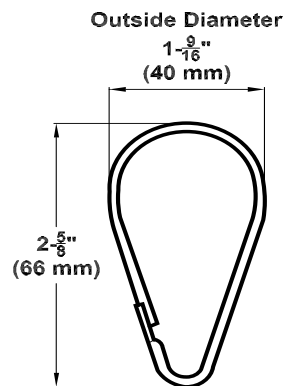




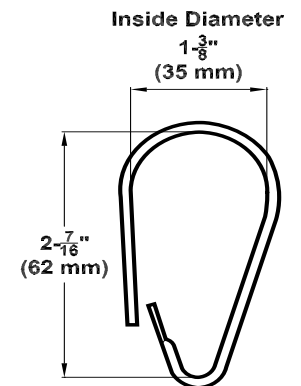
SH-111-200

Technical Data Sheet

Shower Curtain Hooks



Shower Hook
Closed Position



Shower Hook
Open Position

SPECIFICATIONS: Shower Curtain Hook shall be fabricated of alloy 18-8 stainless steel, type 304. Hook shall have formed retainer to hold free end closed and shall accommodate 1" to 1-1/4" (25.4 mm to 31.75 mm) diameter curtain rods.

DIMENSIONS of Wire: .098" (2.5 mm) diameter

INSTALLATION: While holding the hook use thumb to press hanger inward and to one side. Decreasing pressure on the hook allows the hook to open; extending the top portion of the hook over the bottom portion. Place the opened area of the hook over the shower rod and then press the bottom portion of the hook until it connects and closes with the top portion.

The manufacturer reserves the right, without formal notification, to implement changes to the design and dimensions.
© 2008 Columbia Accessories
Edition: SH-111-200/001



PO Box 181, Columbia, SC 29202
Phone: 1-866-820-3579 Fax: 1-866-317-2786
Web Site: <http://www.natpart.com>