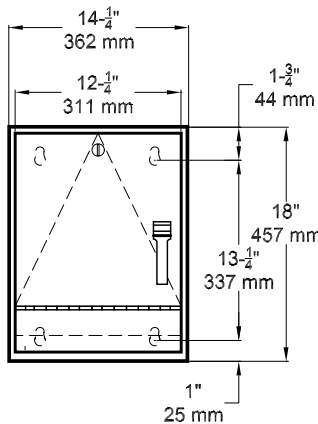




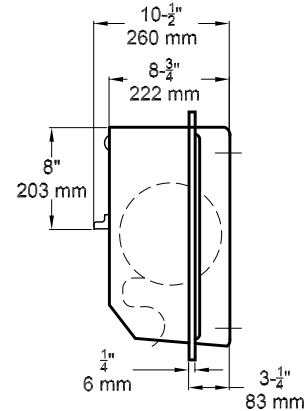
TD-141-280

Technical Data Sheet

Roll Paper Towel Dispenser
Surface Mounted – Lever Controlled



Front View



Side View

MATERIALS: The unit is fabricated of type 304, 22 gauge, stainless steel, No. 4 satin finish.

SPECIFICATIONS: The body of the unit is fabricated of type 304, 22 gauge, stainless steel, No. 4 satin finish. The mechanism can be adjusted to dispense three preset lengths of towel per stroke. The pin tumbler lock is keyed. The unit is a one hand operational and complies with ADA guidelines when mounted properly.

CAPACITY: One 8" or 9" wide roll

OVERALL SIZE: 14 1/4" W x 18" H x 8 3/4" D
(362 mm W x 457 mm H x 222 mm D)

INSTALLATION: Open cabinet door, place unit against wall making sure that the unit is level and transfer mounting points. Secure cabinet to wall surface with proper screws and fasteners. Screws and fasteners are not provided by manufacturer. Load towels into cabinet.



ADA ACCESSIBILITY GUIDELINES: The unit should be installed so that towel dispenser lever is 54" (1372 mm) maximum above finished floor if clear floor side reach access is provided and/or 48" (1219 mm) maximum above finished floor if clear floor forward reach access only is provided.

The manufacturer reserves the right, without formal notification, to implement changes to the design and dimensions.
© 2008 Columbia Accessories
Edition: TD-141-280/001



PO Box 181, Columbia, SC 29202
Phone: 1-866-820-3579 Fax: 1-866-317-2786
Web Site: <http://www.natpart.com>