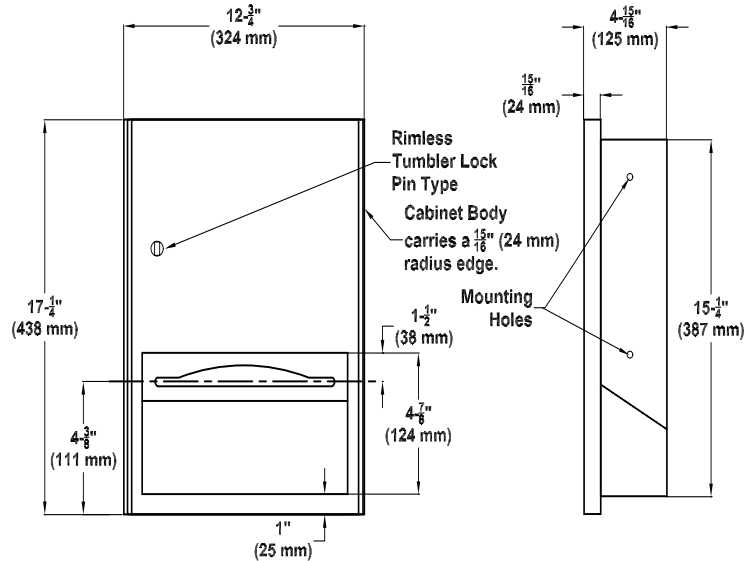




TD-311-200

Technical Data Sheet

Paper Towel Dispenser  
Recessed



Front View

Side View

**MATERIALS:** The recessed paper towel dispenser is fabricated of type 304 stainless steel with No. 4 satin finish.

**SPECIFICATIONS:** Fabricated of type 304 stainless steel, with all exposed surfaces No. 4 satin finish. The unit has a concealed full-length stainless steel piano hinge and keyed tumbler lock.

**CAPACITY:** 300 C-Fold or 400 Multi-fold paper towels.

**OVERALL DIMENSIONS:** 12 3/4" W x 17 1/4" H x 4 15/16" D  
(324 mm W x 438 mm H x 125 mm D)

**WALL DIMENSIONS:** 11 1/4" W x 15 3/8" H x 4" D  
(280 mm W x 400 mm H x 102 mm D)

**INSTALLATION:** Provide wall opening as 11 1/4" W x 15 3/8" H x 4" D (280 W x 400 H x 102 D mm) and recess mount unit using (4) screws through pre-punched concealed mounting holes. Screws are not provided by manufacturer.



**ADA Accessibility Guidelines:** The unit is to be installed so that dispenser slot is 54" maximum above finished floor if area is free of obstruction and/or no more than 48" (1219mm) above finished floor if area if area is not free of obstruction.

The manufacturer reserves the right, without formal notification, to implement changes to the design and dimensions.  
© 2008 Columbia Accessories  
Edition: TD-311-200/001



PO Box 181, Columbia, SC 29202  
Phone: 1-866-820-3579 Fax: 1-866-317-2786  
Web Site: <http://www.natpart.com>