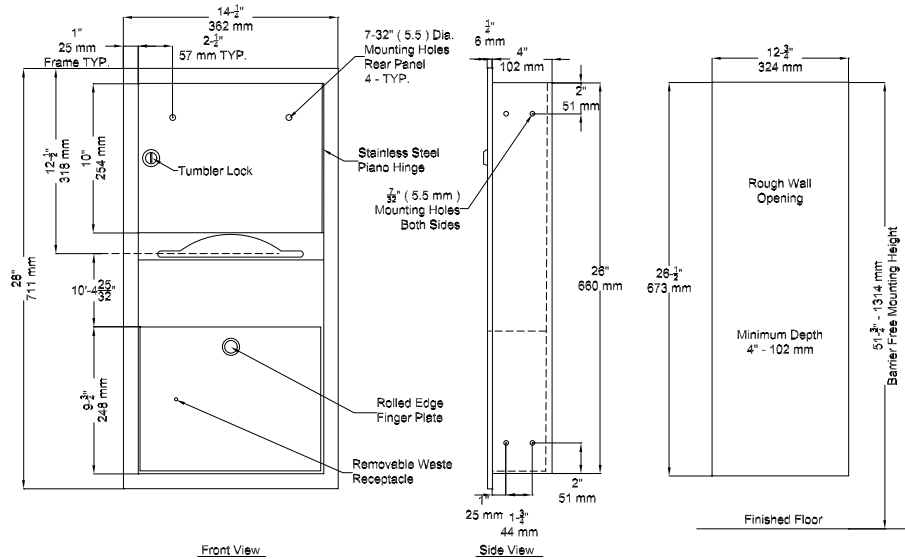


**Towel Dispenser and Waste Receptacle
Recessed Mounted**



MATERIALS: Recessed Paper Towel Dispenser and Waste Receptacle - door and cabinet to be fabricated of alloy 18-8 stainless steel, type 304, 22 gauge.

CAPACITY: 350 C Fold or 475 Multi Fold paper towels

OVERALL SIZE: 14 1/4" W x 28" H x 4 1/4" D
(382 mm W x 711 mm H x 108 mm D)

WALL OPENING: 13 1/2" W x 26 1/2" H x 4" D
(343 mm W x 673 mm H x 102 mm D)

SPECIFICATIONS: Recessed Paper Towel Dispenser and Waste Receptacle will hold and dispense 475 standard multi-fold or (350) standard C-fold paper towels and will have a waste capacity of 2 gal. (7.6 liters). Door and cabinet to be fabricated of alloy 18-8 stainless steel, type 304, 22 gauge; all exposed surfaces will have No 4 satin finish and be protected during shipment with a PVC film that shall be easily removable after installation. Door will be of double-pan construction with fiberboard filler and will be attached to cabinet at side with a full length 3/16" diameter stainless steel multi-staked piano hinge and will be held closed with a tumbler lock. Towel dispensing slot will have a burr free edge for user safety. Waste receptacle will have hemmed edges and a rolled-edge finger-hole for ease of service removal and maintenance safety. Structural assembly of body and door components will be of welded construction.

INSTALLATION: Unit is recessed mounted in wall using # 10 self tapping screws through concealed mounting holes provided. Note that top of rough wall opening is 3/4" (19mm) below top of unit. Screws are not provided by manufacturer. The suggested mounting height is 36" (914 mm) from bottom of unit to floor, 24" (610 mm) barrier free.